



THERMAL IMAGING MONOCULAR

FLIR Scout II

Offering clear thermal imaging in a compact monocular, Scout II quickly detects humans, animals, and objects in low visibility environments—day or night. Generating images based on heat, rather than visible light, thermal imaging gives users increased situational awareness in complete darkness and haze, providing reliable vision for surveillance and safe navigation. A rugged IP67 housing allows on-demand thermal imaging in the most trying conditions.

www.flir.com/scoutii



RELIABLE 24/7 VISION

Thermal imaging offers clear vision in complete darkness or glaring light.

- Quickly detect humans and animals in challenging environments
- See in complete darkness, bright light, and haze
- Sharp, clear 640 × 480 display screen



POWERFUL, YET SIMPLE

Starts up in seconds, no training required.

- Intuitive and straightforward thermal imaging
- Large, easy-to-use buttons for quick image adjustments
- Single hand operation



COMPACT AND RUGGED

Fits in any pocket, weather and impact-resistant.

- Light weight, only 12 oz
- Ergonomic, IP67-rated design
- Up to 5 hour rechargeable battery life

SPECIFICATIONS

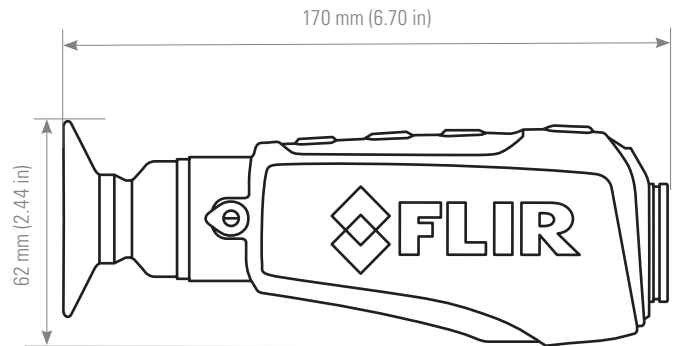
General	SCOUT II 240	SCOUT II 320	SCOUT II 640
Detector Type	240 × 180 VOx Microbolometer	336 × 256 VOx Microbolometer	640 × 512 VOx Microbolometer
Video Refresh Rate		< 9 Hz	
Field of View (H × V)	24° × 18°	17° × 13°	18° × 14°
Focal Length	13 mm Fixed Focus	19 mm Fixed Focus	35 mm Fixed Focus
Start Up	< 1.5 Seconds		
Image Processing	FLIR Proprietary Digital Detail Enhancement		
User Interface			
Zoom Button	Freeze Frame	2x	2x, 4x
Video Detection Palettes	Black Hot, White Hot, InstAlert™, and Graded Fire		
Brightness	Multiple Brightness Levels		
Task Light	LED Task Light		
Image Presentation			
Built-In Display	640 × 480 LCD Display		
Video Output	NTSC Composite Video		
Power			
Battery Type	Internal Li-Ion Cell		
Battery Life (Operating)	> 5 hours, auto-off after 5 minutes of non-use		
Environmental			
Rating	IP67 Submersible		
Operating Temperature	-20° to 50°C (-4° to 122°F)		
Storage Temperature	-40° to 60°C (-40° to 140°F)		
Physical			
Weight	0.34 kg (0.75 lb)		
Overall Dimensions	170 × 58 × 62 mm (6.70 × 2.31 × 2.44 in)		
Range Performance			
Detect Man-Sized Object (1.8 m × 0.5 m)	350 m (380 yd)	550 m (600 yd)	1140 m (1200 yd)

Package Includes

Scout II thermal monocular, USB power adapter/charger, wrist strap, video out cable (Scout II 320 & 640 models), USB cable, quick start guide, molle bag

Specifications are subject to change without notice. For the most up-to-date specs, go to www.flir.com

DIMENSIONS



Pred & Asociados
 Av. Javier Prado Oeste 757 Of. 1305
 Magdalena del Mar, Lima, Perú
 Teléfono +51 (1) 765 1863
ventas@pred-asociados.com
www.pred-asociados.com

www.flir.com
 NASDAQ: FLIR

Equipment described herein may require US Government authorization for export purposes. Diversion contrary to US law is prohibited. Imagery for illustration purposes only. Specifications are subject to change without notice, check our website: www.flir.com
 ©2019 FLIR Systems, Inc. All rights reserved.
 Updated 05/28/2019

19-1114-OTS



The World's Sixth Sense™